



**058-008-00**

**Electric Brake Controller 058-008-00**

Inertia-activated electric brake controller. For use on single and tandem axle trailers.

DX Part No.	Quantity	Part Description
058-008-00	1	Electric Brake Controller



**K71-650-00**

**E/H Actuator 1000 PSI K71-650-00**

E/H Actuator for axles equipped with drum brakes.

DX Part No.	Quantity	Part Description
K71-650-00	1	E/H 1000 psi Brake Actuator

**E/H Actuator 1600 PSI K71-651-00**

E/H Actuator for axles equipped with disc brakes.

DX Part No.	Quantity	Part Description
K71-651-00	1	E/H 1600 psi Brake Actuator



**K71-337-00**

## Brake Cylinder - LH

**K71-640-00**

Fits Dexter 7" x 1¾" brakes. Uni-servo, 1" dia.

DX Part No.	Quantity	Part Description
054-080-03	1	Brake Cylinder

## Brake Cylinder - RH

**K71-641-00**

Fits Dexter 7" x 1¾" brakes. Uni-servo, 1" dia.

DX Part No.	Quantity	Part Description
054-080-04	1	Brake Cylinder

## Brake Cylinder - LH

**K71-337-00**

Fits Dexter 10" x 2¼" and 12" x 2" brakes. Uni-servo, 1½" dia.

DX Part No.	Quantity	Part Description
054-064-00	1	Brake Cylinder

## Brake Cylinder - RH

**K71-338-00**

Fits Dexter 10" x 2¼" and 12" x 2" brakes. Uni-servo, 1½" dia.

DX Part No.	Quantity	Part Description
054-065-00	1	Brake Cylinder



**K71-339-00**

## Brake Cylinder - LH

**K71-339-00**

Fits Dexter 10" x 2¼" and 12" x 2" brakes. Duo-servo, 1½" dia.

DX Part No.	Quantity	Part Description
054-062-00	1	Brake Cylinder

## Brake Cylinder - RH

**K71-340-00**

Fits Dexter 10" x 2¼" and 12" x 2" brakes. Duo-servo, 1½" dia.

DX Part No.	Quantity	Part Description
054-063-00	1	Brake Cylinder



**K71-424-00**

## Brake Cylinder - LH

**K71-424-00**

Fits Dexter 10" x 2¼" and 12" x 2" free backing, corrosion resistant, hydraulic brakes. Uni-servo, 1½" dia.

DX Part No.	Quantity	Part Description
054-064-01	1	Brake Cylinder

## Brake Cylinder - RH

**K71-425-00**

Fits Dexter 10" x 2¼" and 12" x 2" free backing, corrosion resistant, hydraulic brakes. Uni-servo, 1½" dia.

DX Part No.	Quantity	Part Description
054-065-01	1	Brake Cylinder



**K71-081-00**

## Brake Cylinder Rebuild Kit

**K71-080-00**

Fits Dexter 12¼" x 3⅜" brakes with 1" dia. cylinder (8K).

DX Part No.	Quantity	Part Description
046-130-00	1	Spring
054-032-00	2	Boot
054-035-00	1	Bleeder Screw
054-041-00	2	Piston
054-085-00	2	Cup

## Brake Cylinder Rebuild Kit

**K71-081-00**

Fits Dexter 12¼" x 3⅜", 12¼" x 4" and 12¼" x 5" brakes with 1¼" dia. cylinder (9K-12K).

DX Part No.	Quantity	Part Description
046-128-00	1	Spring
054-032-00	2	Boot
054-035-00	1	Bleeder Screw
054-038-00	2	Piston
054-086-00	2	Cup

## Brake Cylinder Rebuild Kit

**K71-082-00**

Fits Dexter 12¼" x 5" brakes with 1⅜" dia. cylinder (15K).

DX Part No.	Quantity	Part Description
046-129-00	1	Spring
054-030-00	2	Piston
054-032-00	2	Boot
054-035-00	1	Bleeder Screw
054-087-00	2	Cup



**K71-624-00**

## Caliper Replacement Kit - LH K71-624-00

For Dexter 3.5K disc brakes.

DX Part No.	Quantity	Part Description
007-256-00	2	Cap Screw
059-794-00	1	Instruction Sheet
089-004-02	1	Caliper Assembly



**K71-625-00**

## Caliper Replacement Kit - RH K71-625-00

For Dexter 3.5K disc brakes.

DX Part No.	Quantity	Part Description
007-256-00	2	Cap Screw
059-794-00	1	Instruction Sheet
089-004-03	1	Caliper Assembly



**K71-636-00**

## Caliper Replacement Kit **K71-636-00**

For Dexter 6K disc brakes - LH or RH.

DX Part No.	Quantity	Part Description
006-045-00	4	Hex Nut
007-254-00	4	Cap Screw
019-019-00	1	Cotter Ring
054-092-00	1	Bleeder Screw
054-094-00	1	Flare Fitting
056-038-00	1	Retaining Pin
059-799-00	1	Instruction Sheet
071-513-00	1	Brake Line
071-517-00	1	Brake Line
089-005-02	2	Caliper Assembly



**K71-630-00**

## Caliper Replacement Kit **K71-630-00**

For Dexter 8K disc brakes - LH or RH.

DX Part No.	Quantity	Part Description
006-045-00	4	Hex Nut
007-254-00	4	Cap Screw
019-019-00	1	Cotter Ring
054-092-00	1	Bleeder Screw
054-094-00	1	Flare Fitting
056-038-00	1	Retaining Pin
059-799-00	1	Instruction Sheet
071-513-00	1	Brake Line Assembly
071-518-00	1	Brake Line Assembly
089-003-02	2	Caliper Assembly



**K71-670-00**

## Brake Caliper Repair Kit **K71-670-00**

Fits Dexter 6K and 8K disc brake axles.

DX Part No.	Quantity	Part Description
054-090-00	4	Piston Seal
054-091-00	4	Dust Boot
054-092-00	1	Bleeder Screw
054-094-00	1	Flare Fitting



**K71-181-00**

## Brake Caliper Repair Kit **K71-181-00**

Fits Dexter 10K and 12K disc brake axles (after 1/88).

DX Part No.	Quantity	Part Description
010-062-00	4	O-Ring
054-067-00	2	Seal for 2.50 diameter piston
054-068-00	2	Boot for 2.50 diameter piston
054-069-00	1	Bleeder Screw



**K71-057-00**

## Magnet Kit

**K71-057-00**

Fits Dexter 7" x 1¼" brakes (after 4/1/90) and 10" x 1½" brakes (prior to 9/1/88). 7" brakes prior to 4/1/90 require replacing the lever arms. Use 047-114-01 or 047-115-01 with magnet kit K71-057-00.

DX Part No.	Quantity	Part Description
042-134-00	1	Magnet Assembly (white wire)
046-086-00	1	Spring
046-121-00	1	Retainer
059-511-00	1	Instruction Sheet



**K71-177-00**

## Magnet Kit

**K71-177-00**

Fits Dexter 10" x 1½" brakes (after 9/1/88).

DX Part No.	Quantity	Part Description
027-009-00	1	Retainer
042-123-00	1	Magnet Assembly (yellow wire)
046-080-00	1	Spring
059-511-00	1	Instruction Sheet



**K71-104-00**

## Magnet Kit

**K71-104-00**

Fits Dexter 10" x 2¼" brakes (3.5K).

DX Part No.	Quantity	Part Description
027-009-00	1	Retainer
042-097-01	1	Magnet Assembly (green wire)
046-080-00	1	Spring
059-511-00	1	Instruction Sheet



**K71-441-00**

## Magnet Kit

**K71-441-00**

Fits Dexter 12¼" x 2½" (7.2K) electric brakes. Used with actuating lever kit 047-124-04 or 047-125-04.

DX Part No.	Quantity	Part Description
027-050-00	1	Magnet Retainer
042-136-00	1	Magnet Assembly (red wire)
046-117-00	1	Magnet Spring
059-511-00	1	Instruction Sheet

## Magnet Kit

**K71-105-00**

Fits Dexter 10" x 2¼" (4.4K) and 12" x 2" brakes (5.2K & 6K).

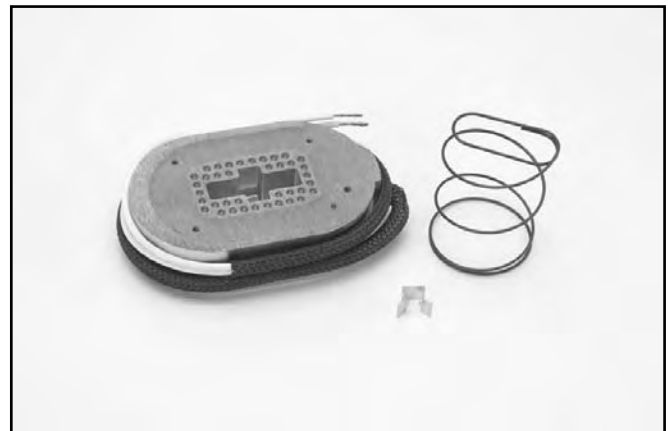
DX Part No.	Quantity	Part Description
027-009-00	1	Retainer
042-099-01	1	Magnet Assembly (white wire)
046-080-00	1	Spring
059-511-00	1	Instruction Sheet

## Magnet Kit

**K71-125-00**

Fits Dexter 12" x 2" brakes (7K).

DX Part No.	Quantity	Part Description
027-009-00	1	Retainer
042-101-01	1	Magnet Assembly (black wire)
046-080-00	1	Spring
059-511-00	1	Instruction Sheet



**K71-375-00**

## Magnet Kit

**K71-375-00**

Fits Dexter 12¼" x 3⅜" (8K) electric brakes (after 6/92). Used with actuating lever kit 047-123-06 or 047-123-05.

DX Part No.	Quantity	Part Description
027-050-00	1	Magnet Retainer
042-127-00	1	Magnet Assembly (white wire)
046-117-00	1	Magnet Spring
059-511-00	1	Instruction Sheet





**K71-377-00**

## Magnet Kit

**K71-376-00**

Fits Dexter 12¼" x 3⅜" (9-10K) or 12¼" x 4" (10K) electric brakes (after 6/92). Used with actuating lever kit 047-123-06 or 047-123-05.

DX Part No.	Quantity	Part Description
027-050-00	1	Magnet Retainer
042-129-00	1	Magnet Assembly (yellow wire)
046-117-00	1	Magnet Spring
059-511-00	1	Instruction Sheet

## Magnet Kit

**K71-377-00**

Fits Dexter 12¼" x 5" (12K) electric brakes (after 6/92). Used with actuating lever kit 047-123-24 or 047-123-23.

DX Part No.	Quantity	Part Description
027-050-00	1	Magnet Retainer
042-130-00	1	Magnet Assembly (black wire)
046-117-00	1	Magnet Spring
059-511-00	1	Instruction Sheet

## Magnet Kit

**K71-378-00**

Fits Dexter 12¼" x 5" (15K) electric brakes (after 6/92). Used with actuating lever kit 047-123-24 or 047-123-23.

DX Part No.	Quantity	Part Description
027-050-00	1	Magnet Retainer
042-131-00	1	Magnet Assembly (blue wire)
046-117-00	1	Magnet Spring
059-511-00	1	Instruction Sheet



**K71-045-00**

## Brake Shoe & Lining Kit

**K71-045-00**

Fits Dexter 7" x 1¼" electric brakes.

DX Part No.	Quantity	Part Description
040-125-00	1	Primary Shoe & Lining
040-049-00	1	Secondary Shoe & Lining
059-043-00	1	Instruction Sheet



**K71-466-00**

## Brake Shoe & Lining Kit

**K71-466-00**

Fits Dexter 7" x 1¼" hydraulic brakes.

DX Part No.	Quantity	Part Description
035-001-00	4	Shoe Hold Down Spring Cup
040-327-01	1	Primary Shoe & Lining
040-328-01	1	Secondary Shoe & Lining
046-006-00	2	Shoe Hold Down Spring
049-014-00	2	Hold Down Pin "A"
059-581-00	1	Instruction Sheet



**K71-046-00**

**Brake Shoe & Lining Kit K71-046-00**

Fits Dexter 10" x 1½" electric brakes.

DX Part No.	Quantity	Part Description
040-129-00	1	Primary Shoe & Lining
040-130-00	1	Secondary Shoe & Lining
046-077-00	2	Shoe Hold Down Spring
049-009-00	2	Hold Down Pin *T*
059-044-00	1	Instruction Sheet



**K71-672-00**

**Brake Shoe & Lining Kit K71-672-00**

Fits Dexter 10" x 2¼" electric brakes for D44 axles.

DX Part No.	Quantity	Part Description
040-361-00	1	Primary Shoe & Lining
040-362-00	1	Secondary Shoe & Lining
046-077-00	2	Shoe Hold Down Spring
049-002-00	2	Hold Down Pin *8*
059-045-00	1	Instruction Sheet



**K71-047-00**

**Brake Shoe & Lining Kit K71-047-00**

Fits Dexter 10" x 2¼" electric brakes.

DX Part No.	Quantity	Part Description
040-017-00	1	Primary Shoe & Lining
040-021-00	1	Secondary Shoe & Lining
046-077-00	2	Shoe Hold Down Spring
049-002-00	2	Hold Down Pin *8*
059-045-00	1	Instruction Sheet



**K71-267-00**

**Brake Shoe & Lining Kit K71-267-00**

Fits Dexter 10" x 2¼" hydraulic brakes.

DX Part No.	Quantity	Part Description
040-210-00	1	Primary Shoe & Lining
040-211-00	1	Secondary Shoe & Lining
046-077-00	2	Shoe Hold Down Spring
049-002-00	2	Hold Down Pin *8*
059-260-00	1	Instruction Sheet



**K71-393-00**

**Brake Shoe & Lining Kit K71-393-00**

Fits Dexter 10" x 2¼" free backing hydraulic brakes.

DX Part No.	Quantity	Part Description
040-291-00	1	Primary Shoe & Lining
040-211-00	1	Secondary Shoe & Lining
046-077-00	2	Shoe Hold Down Spring
049-002-00	2	Hold Down Pin *8*
059-818-00	1	Instruction Sheet



**K71-127-00**

**Brake Shoe & Lining Kit K71-127-00**

Fits Dexter 12" x 2" electric brakes (6K CSA, 7K).

DX Part No.	Quantity	Part Description
040-215-00	1	Primary Shoe & Lining
040-216-00	1	Secondary Shoe & Lining
046-077-00	2	Shoe Hold Down Spring
049-011-00	2	Hold Down Pin *2*
059-045-00	1	Instruction Sheet

**Brake Shoe & Lining Kit K71-423-00**

Fits Dexter 10" x 2¼" free backing, corrosion resistant, hydraulic brakes.

DX Part No.	Quantity	Part Description
040-291-03	1	Primary Shoe & Lining
040-292-03	1	Secondary Shoe & Lining
046-077-01	2	Shoe Hold Down Spring & Cup
049-002-00	2	Hold Down Pin *8*
059-818-00	1	Instruction Sheet



**K71-048-00**

**Brake Shoe & Lining Kit K71-048-00**

Fits Dexter 12" x 2" brakes (DXQ 5.2K CSA).

DX Part No.	Quantity	Part Description
040-044-00	1	Primary Shoe & Lining
040-045-00	1	Secondary Shoe & Lining
046-077-00	2	Shoe Hold Down Spring
049-011-00	2	Hold Down Pin *2*
059-045-00	1	Instruction Sheet



**K71-268-00**

## Brake Shoe & Lining Kit **K71-268-00**

Fits Dexter 12" x 2" hydraulic brakes (5.2K).

DX Part No.	Quantity	Part Description
040-204-00	1	Primary Shoe & Lining
040-206-00	1	Secondary Shoe & Lining
046-077-00	2	Shoe Hold Down Spring
049-012-00	2	Hold Down Pin *4*
059-260-00	1	Instruction Sheet



**K71-394-00**

## Brake Shoe & Lining Kit - LH **K71-394-00**

Fits Dexter 12" x 2" free backing hydraulic brakes.

DX Part No.	Quantity	Part Description
035-001-00	2	Shoe Hold Down Cup, Primary
040-243-08	1	Primary Shoe & Lining
040-315-02	1	Secondary Shoe & Lining Assembly
046-077-00	1	Secondary Shoe Hold Down Spring
046-006-00	1	Shoe Hold Down Spring, Primary
049-013-00	1	Hold Down Pin *1*, Primary
049-002-00	1	Hold Down Pin *8*, Secondary
059-818-00	1	Instruction Sheet

## Brake Shoe & Lining Kit - RH **K71-395-00**

Fits Dexter 12" x 2" free backing hydraulic brakes.

DX Part No.	Quantity	Part Description
035-001-00	2	Shoe Hold Down Cup, Primary
040-243-09	1	Primary Shoe & Lining
040-315-01	1	Secondary Shoe & Lining Assembly
046-077-00	1	Secondary Shoe Hold Down Spring
046-006-00	1	Shoe Hold Down Spring, Primary
049-013-00	1	Hold Down Pin *1*, Primary
049-002-00	1	Hold Down Pin *8*, Secondary
059-818-00	1	Instruction Sheet



**K71-269-00**

## Brake Shoe & Lining Kit - LH K71-269-00

Fits Dexter 12" x 2" hydraulic brakes (7K).

DX Part No.	Quantity	Part Description
040-219-00	1	Primary Shoe & Lining
040-218-02	1	Secondary Shoe & Lining
046-077-00	2	Shoe Hold Down Spring
049-012-00	2	Hold Down Pin *4*
059-260-00	1	Instruction Sheet

## Brake Shoe & Lining Kit - RH K71-270-00

Fits Dexter 12" x 2" hydraulic brakes (7K).

DX Part No.	Quantity	Part Description
040-219-00	1	Primary Shoe & Lining
040-218-01	1	Secondary Shoe & Lining
046-077-00	2	Shoe Hold Down Spring
049-012-00	2	Hold Down Pin *4*
059-260-00	1	Instruction Sheet



**K71-427-00**

## Brake Shoe & Lining Kit - LH K71-427-00

Fits Dexter 12" x 2" free backing, corrosion resistant, hydraulic brakes.

DX Part No.	Quantity	Part Description
035-001-00	2	Hold Down Cup, Primary
040-243-06	1	Primary Shoe & Lining Assembly
040-315-06	1	Secondary Shoe & Lining Assembly
046-077-01	1	Shoe Hold Down Spring and Cup
046-006-01	1	Hold Down Spring, Primary
049-002-00	1	Hold Down Pin *8*, Secondary
049-013-00	1	Hold Down Pin *1*, Primary
059-818-00	1	Instruction Sheet

## Brake Shoe & Lining Kit - RH K71-428-00

Fits Dexter 12" x 2" free backing, corrosion resistant, hydraulic brakes.

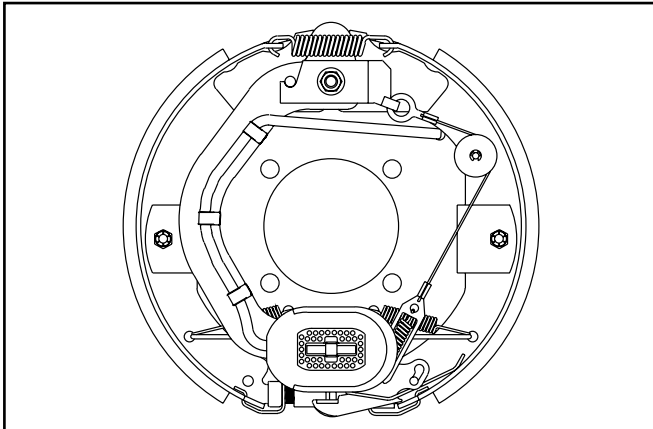
DX Part No.	Quantity	Part Description
035-001-00	2	Hold Down Cup, Primary
040-243-07	1	Primary Shoe & Lining Assembly
040-315-05	1	Secondary Shoe & Lining Assembly
046-077-01	1	Shoe Hold Down Spring and Cup
046-006-01	1	Hold Down Spring, Primary
049-002-00	1	Hold Down Pin *8*, Secondary
049-013-00	1	Hold Down Pin *1*, Primary
059-818-00	1	Instruction Sheet



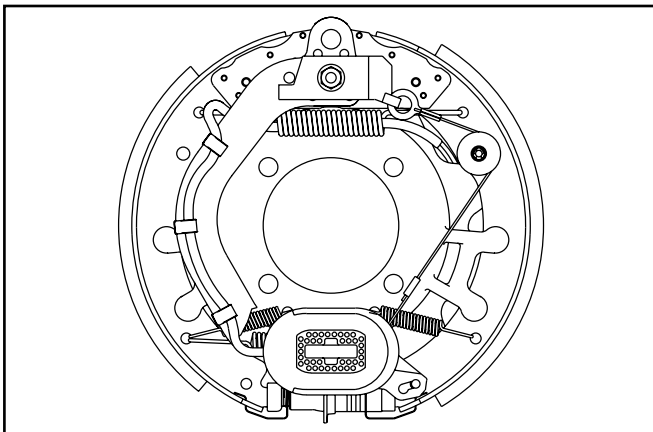
## 12¼" Electric Brakes

Please note that there are two styles of brakes with different shoe and lining kits. In April 2000, Dexter began manufacturing brakes with **Cast Backing Plates** rather than the old style **Stamped Backing Plates**.

Please verify which style of brake you have to ensure proper shoe and lining kit.



**Old Style Brake  
Stamped Backing Plate**



**New Style Brake  
Cast Backing Plate**



**K71-410-00**

### **Brake Shoe & Lining Kit** **K71-410-00**

**Stamped Backing Plate (prior to 4/00)**

Fits Dexter 12¼" x 2½" electric brakes (7.2K). Services one brake, left or right.

DX Part No.	Quantity	Part Description
005-107-00	2	Washer Shoe Hold Down
006-127-00	2	Locknut
040-309-01	1	Primary Shoe & Lining LH or Secondary Shoe & Lining RH
040-310-01	1	Primary Shoe & Lining RH or Secondary Shoe & Lining LH



**K71-497-00**

**Brake Shoe & Lining Kit - LH K71-497-00**

**Cast Backing Plate (as of 4/00)**

Fits Dexter 12¼" x 2½" electric brakes (7.2K).

DX Part No.	Quantity	Part Description
040-348-01	1	Primary Shoe & Lining
040-349-02	1	Secondary Shoe & Lining
059-653-00	1	Instruction Sheet

**Brake Shoe & Lining Kit - RH K71-496-00**

**Cast Backing Plate (as of 4/00)**

Fits Dexter 12¼" x 2½" electric brakes (7.2K).

DX Part No.	Quantity	Part Description
040-349-01	1	Primary Shoe & Lining
040-348-02	1	Secondary Shoe & Lining
059-653-00	1	Instruction Sheet



**K71-049-00**

**Brake Shoe & Lining Kit - LH K71-049-00**

**Stamped Backing Plate (prior to 4/00)**

Fits Dexter 12¼" x 3⅜" electric brakes (8K, 9K, 10K GD).

DX Part No.	Quantity	Part Description
005-107-00	2	Shoe Hold Down Washer
006-127-00	2	Locknut
040-110-01	1	Primary Shoe & Lining
040-111-02	1	Secondary Shoe & Lining
059-046-00	1	Instruction Sheet

**Brake Shoe & Lining Kit - RH K71-050-00**

**Stamped Backing Plate (prior to 4/00)**

Fits Dexter 12¼" x 3⅜" electric brakes (8K, 9K, 10K GD).

DX Part No.	Quantity	Part Description
005-107-00	2	Shoe Hold Down Washer
006-127-00	2	Locknut
040-111-01	1	Primary Shoe & Lining
040-110-02	1	Secondary Shoe & Lining
059-046-00	1	Instruction Sheet



**K71-499-00**

## Brake Shoe & Lining Kit - LH **K71-499-00**

### Cast Backing Plate (as of 4/00)

Fits Dexter 12¼" x 3⅜" electric brakes (8K, 9K, 10K GD).

DX Part No.	Quantity	Part Description
040-350-01	1	Primary Shoe & Lining
040-351-02	1	Secondary Shoe & Lining
059-653-00	1	Instruction Sheet

## Brake Shoe & Lining Kit - RH **K71-498-00**

### Cast Backing Plate (as of 4/00)

Fits Dexter 12¼" x 3⅜" electric brakes (8K, 9K, 10K GD).

DX Part No.	Quantity	Part Description
040-351-01	1	Primary Shoe & Lining
040-350-02	1	Secondary Shoe & Lining
059-653-00	1	Instruction Sheet



**K71-165-00**

## Brake Shoe & Lining Kit - LH **K71-165-00**

Fits Dexter 12¼" x 3⅜" hydraulic brakes (8K, 9K, 10K GD).

DX Part No.	Quantity	Part Description
005-107-00	2	Shoe Hold Down Washer
006-086-00	2	Locknut
040-199-01	1	Primary Shoe & Lining
040-199-02	1	Secondary Shoe & Lining
059-101-00	1	Instruction Sheet

## Brake Shoe & Lining Kit - RH **K71-166-00**

Fits Dexter 12¼" x 3⅜" hydraulic brakes (8K, 9K, 10K GD).

DX Part No.	Quantity	Part Description
005-107-00	2	Shoe Hold Down Washer
006-086-00	2	Locknut
040-200-01	1	Primary Shoe & Lining
040-200-02	1	Secondary Shoe & Lining
059-101-00	1	Instruction Sheet

## Brake Shoe & Lining Kit - LH **K71-437-00**

Fits Dexter 12¼" x 3⅜" corrosion resistant, hydraulic brakes (8K, 9K, 10K GD).

DX Part No.	Quantity	Part Description
005-107-02	2	Shoe Hold Down Washer
006-086-00	2	Locknut
040-199-05	1	Primary Shoe & Lining
040-199-06	1	Secondary Shoe & Lining
059-101-00	1	Instruction Sheet



# BRAKE COMPONENTS



## Brake Shoe & Lining Kit - RH K71-438-00

Fits Dexter 12¼" x 3⅜" corrosion resistant, hydraulic brakes (8K, 9K, 10K GD).

DX Part No.	Quantity	Part Description
005-107-02	2	Shoe Hold Down Washer
006-086-00	2	Locknut
040-200-05	1	Primary Shoe & Lining
040-200-06	1	Secondary Shoe & Lining
059-101-00	1	Instruction Sheet



**K71-444-00**

## Tag Brake Shoe & Lining Kit - LH K71-444-00

Fits Dexter 12¼" x 3⅜" hydraulic brakes.

DX Part No.	Quantity	Part Description
005-107-00	2	Shoe Hold Down Washer
006-086-00	2	Locknut
040-317-01	1	Primary Shoe & Lining
040-317-02	1	Secondary Shoe & Lining
059-101-00	1	Instruction Sheet

## Tag Brake Shoe & Lining Kit - RH K71-445-00

Fits Dexter 12¼" x 3⅜" hydraulic brakes.

DX Part No.	Quantity	Part Description
005-107-00	2	Shoe Hold Down Washer
006-086-00	2	Locknut
040-316-01	1	Primary Shoe & Lining
040-316-02	1	Secondary Shoe & Lining
059-101-00	1	Instruction Sheet



**K71-051-00**

## Brake Shoe & Lining Kit - LH K71-051-00

**Stamped Backing Plate (prior to 4/00)**

Fits Dexter 12¼" x 4" electric brakes (10K HD).

DX Part No.	Quantity	Part Description
005-107-00	2	Shoe Hold Down Washer
006-127-00	2	Locknut
040-108-01	1	Primary Shoe & Lining
040-109-02	1	Secondary Shoe & Lining
059-046-00	1	Instruction Sheet

## Brake Shoe & Lining Kit - RH K71-052-00

**Stamped Backing Plate (prior to 4/00)**

Fits Dexter 12¼" x 4" electric brakes (10K HD).

DX Part No.	Quantity	Part Description
005-107-00	2	Shoe Hold Down Washer
006-127-00	2	Locknut
040-109-01	1	Primary Shoe & Lining
040-108-02	1	Secondary Shoe & Lining
059-046-00	1	Instruction Sheet



**K71-501-00**

## Brake Shoe & Lining Kit - LH K71-501-00

### Cast Backing Plate (as of 4/00)

Fits Dexter 12 $\frac{1}{4}$ " x 4" electric brakes (10K HD).

DX Part No.	Quantity	Part Description
040-352-01	1	Primary Shoe & Lining
040-353-02	1	Secondary Shoe & Lining
059-653-00	1	Instruction Sheet

## Brake Shoe & Lining Kit - RH K71-500-00

### Cast Backing Plate (as of 4/00)

Fits Dexter 12 $\frac{1}{4}$ " x 4" electric brakes (10K HD).

DX Part No.	Quantity	Part Description
040-353-01	1	Primary Shoe & Lining
040-352-02	1	Secondary Shoe & Lining
059-653-00	1	Instruction Sheet



**K71-167-00**

## Brake Shoe & Lining Kit - LH K71-167-00

Fits Dexter 12 $\frac{1}{4}$ " x 4" hydraulic brakes (10K HD).

DX Part No.	Quantity	Part Description
005-107-00	2	Shoe Hold Down Washer
006-086-00	2	Locknut
040-197-01	1	Primary Shoe & Lining
040-197-02	1	Secondary Shoe & Lining
059-101-00	1	Instruction Sheet

## Brake Shoe & Lining Kit - RH K71-168-00

Fits Dexter 12 $\frac{1}{4}$ " x 4" hydraulic brakes (10K HD).

DX Part No.	Quantity	Part Description
005-107-00	2	Shoe Hold Down Washer
006-086-00	2	Locknut
040-198-01	1	Primary Shoe & Lining
040-198-02	1	Secondary Shoe & Lining
059-101-00	1	Instruction Sheet



**K71-053-00**

**Brake Shoe & Lining Kit - LH K71-053-00**

**Stamped Backing Plate (prior to 4/00)**

Fits Dexter 12 $\frac{1}{4}$ " x 5" electric brakes (12K-15K).

DX Part No.	Quantity	Part Description
005-107-00	2	Shoe Hold Down Washer
006-127-00	2	Locknut
040-102-01	1	Primary Shoe & Lining
040-103-02	1	Secondary Shoe & Lining
059-046-00	1	Instruction Sheet

**Brake Shoe & Lining Kit - RH K71-054-00**

**Stamped Backing Plate (prior to 4/00)**

Fits Dexter 12 $\frac{1}{4}$ " x 5" electric brakes (12K-15K).

DX Part No.	Quantity	Part Description
005-107-00	2	Shoe Hold Down Washer
006-127-00	2	Locknut
040-103-01	1	Primary Shoe & Lining
040-102-02	1	Secondary Shoe & Lining
059-046-00	1	Instruction Sheet



**K71-503-00**

**Brake Shoe & Lining Kit - LH K71-503-00**

**Cast Backing Plate (as of 4/00)**

Fits Dexter 12 $\frac{1}{4}$ " x 5" electric brakes (12K-15K).

DX Part No.	Quantity	Part Description
040-354-01	1	Primary Shoe & Lining
040-355-02	1	Secondary Shoe & Lining
059-653-00	1	Instruction Sheet

**Brake Shoe & Lining Kit - RH K71-502-00**

**Cast Backing Plate (as of 4/00)**

Fits Dexter 12 $\frac{1}{4}$ " x 5" electric brakes (12K-15K).

DX Part No.	Quantity	Part Description
040-355-01	1	Primary Shoe & Lining
040-354-02	1	Secondary Shoe & Lining
059-653-00	1	Instruction Sheet



**K71-169-00**

## Brake Shoe & Lining Kit - LH **K71-169-00**

Fits Dexter 12¼" x 5" hydraulic brakes (12K-15K).

DX Part No.	Quantity	Part Description
005-107-00	2	Shoe Hold Down Washer
006-086-00	2	Locknut
040-195-01	1	Primary Shoe & Lining
040-195-02	1	Secondary Shoe & Lining
059-101-00	1	Instruction Sheet

## Brake Shoe & Lining Kit - RH **K71-170-00**

Fits Dexter 12¼" x 5" hydraulic brakes (12K-15K).

DX Part No.	Quantity	Part Description
005-107-00	2	Shoe Hold Down Washer
006-086-00	2	Locknut
040-196-01	1	Primary Shoe & Lining
040-196-02	1	Secondary Shoe & Lining
059-101-00	1	Instruction Sheet



**K71-102-00**

## Brake Block Kit **K71-102-00**

For one Dexter 12¼" x 4" brake.

DX Part No.	Quantity	Part Description
022-018-00	24	Rivet
041-052-01	2	Brake Block
041-052-02	2	Brake Block
059-191-00	1	Instruction Sheet



**K71-152-00**

## Brake Block Kit **K71-152-00**

For one Dexter 12¼" x 5" brake.

DX Part No.	Quantity	Part Description
022-018-00	24	Rivet
041-053-01	2	Brake Block
041-053-02	2	Brake Block
059-191-00	1	Instruction Sheet



**K71-133-00**

## Brake Block Kit

**K71-133-00**

For one Dexter 12 $\frac{1}{4}$ " x 7 $\frac{1}{2}$ " brake.

DX Part No.	Quantity	Part Description
022-018-00	48	Rivet
041-057-01	2	Brake Block
041-060-01	2	Brake Block
059-191-00	1	Instruction Sheet



**K71-180-00**

## Disc Brake Pad Kit

**K71-180-00**

For one Dexter 10K or 12K axle.

DX Part No.	Quantity	Part Description
006-125-00	4	Nut
046-105-00	4	Anti-Rattle Spring
088-008-00	1	Grease Packet
071-182-00	1	Installation Tool
091-003-00	4	Brake Pad
010-062-00	20	O-Rings
059-214-00	1	Instruction Sheet



**K71-138-00**

## Brake Block Kit

**K71-138-00**

For one Dexter 16 $\frac{1}{2}$ " x 7" air brake.

DX Part No.	Quantity	Part Description
022-018-00	48	Rivet
041-058-01	2	Brake Block
041-059-01	2	Brake Block
059-191-00	1	Instruction Sheet



**K71-623-00**

## Brake Pad Replacement Kit

**K71-623-00**

For Dexter 3.5K disc brakes. Services two brakes.

DX Part No.	Quantity	Part Description
059-793-00	1	Instruction Sheet
091-006-00	1	Brake Pad Set (includes 4)



**K71-629-00**

## Brake Pad Replacement Kit **K71-629-00**

For Dexter 6K and 8K disc brakes. Services two brakes.

DX Part No.	Quantity	Part Description
019-019-00	2	Cotter Ring
056-038-00	2	Retaining Pin
059-798-00	1	Instruction Sheet
091-004-00	4	Brake Pad



**K71-098-00**

## Brake Shoe Hardware Kit **K71-098-00**

Fits "P" style Dexter 10K-27K, 12¼" air brake axles. For one brake.

DX Part No.	Quantity	Part Description
005-072-00	4	Anchor Pin Washer (10K)
005-073-00	4	Anchor Pin Washer (12K - 27K)
005-076-00	2	Roller Pin Spacer
007-137-00	1	Anchor Pin Clamping Screw (prior to 4/93)
014-057-00	2	Roller
014-104-00	2	Bushing - Spider Anchor Pins (after 4/93)
046-092-00	1	Retractor Spring
056-010-00	2	Roller Pin
056-011-00	2	Anchor Pin
056-012-00	2	Retainer Pin, Retractor Spring
069-018-00	2	Roller Pin Retainer
069-019-00	4	Anchor Pin Retainer
059-552-00	1	Instruction Sheet



**K71-460-00**

## Brake Shoe Hardware Kit **K71-460-00**

Fits "PQ" style Dexter 10-27K, 12¼" air brake axles. For one brake.

DX Part No.	Quantity	Part Description
005-076-00	2	Washer
014-057-00	2	Roller
014-068-00	2	Bushing
046-092-00	1	Retractor Spring
046-097-00	2	Shoe Keeper Spring
056-010-00	2	Knurled Roller Pin
056-017-00	2	Anchor Pin
056-018-00	2	Retainer Pin
069-018-00	2	Snap Ring for .750 shaft
059-553-00	1	Instruction Sheet



**K71-136-00**

## Brake Shoe Hardware Kit **K71-136-00**

Fits all "Q" quick change Dexter 16½" x 7" air brake axles. For one brake.

DX Part No.	Quantity	Part Description
014-065-00	2	Roller
014-068-00	2	Spider Bushing
046-096-00	1	Retractor Spring 16½" Brake-Orange
046-097-00	2	Keeper Spring
056-017-00	2	Anchor Pin
056-018-00	2	Spring Retainer
071-122-00	2	Roller Retainer
059-554-00	1	Instruction Sheet



**K71-461-00**

## Torflex® 90° Hose Kit **K71-461-00**

Designed for tight clearance applications. Fits all torflex® axles.

DX Part No.	Quantity	Part Description
007-222-00	2	Thread Forming Screw
027-051-00	2	Loop Clamp
034-257-00	2	Brake Hose Assembly 90°
034-258-00	2	Frame/Hose Bracket
034-259-00	2	Hose Clip
059-575-00	1	Instruction Sheet



**K71-399-00**

## Electric Brake Parts Kit **K71-399-00**

Contains extra heat shrink caps, magnet retainer clips, wire clips, plugs, wire grommets and wire connectors for repairing Dexter brakes.

DX Part No.	Quantity	Part Description
027-005-00	6	Wire Clip
027-009-00	2	Magnet Retainer Clip
027-027-00	4	Heat Shrink Cap
027-039-00	6	Wire Clip
027-050-00	2	Magnet Retainer Clip
046-007-00	2	Plug
046-016-00	2	Wire Grommet
046-121-00	2	Magnet Retainer Clip
067-006-00	4	Wire Connector





**K71-278-00**

## Conduit Connector Kit **K71-278-00**

For 10" x 2¼" and 12" x 2" electric brakes.

DX Part No.	Quantity	Part Description
005-138-00	1	Washer
006-099-00	1	Nut
007-120-00	2	Screw
007-220-00	1	Screw
022-026-00	2	Rivet
027-036-00	2	Conduit Connectors
027-037-00	2	Retainers
059-577-00	1	Instruction Sheet



**K71-101-00**

## Camshaft Repair Kit **K71-101-00**

Fits "P" and "PQ" style Dexter 10K, 12K and 15K, and 12¼" x 7½" air brake axles. For one brake.

DX Part No.	Quantity	Part Description
005-074-00	1	D Washer Camshaft
005-075-00	2	Camshaft Washer
005-134-00	1	Plain Washer
010-052-00	2	Seal
014-056-00	1	Camshaft Bushing
014-058-00	1	Camshaft Support Bushing
061-006-00	1	Grease Fitting
069-020-00	2	Camshaft Retainer
069-078-00	1	Snap Ring
059-663-00	1	Instruction Sheet



**K71-135-00**

## Camshaft Repair Kit

**K71-135-00**

Fits all "Q" quick change Dexter 16½" x 7" air brake axles. For one brake.

DX Part No.	Quantity	Part Description
005-096-00	1	Camshaft Washer
005-097-00	2	Camshaft Washer
005-134-00	1	Plain Washer
010-052-00	2	Seal
014-056-00	1	Camshaft Bushing
014-058-00	1	Camshaft Support Bushing
061-006-00	1	Grease Fitting
069-020-00	2	Camshaft Retainer
069-078-00	1	Snap Ring
059-554-00	1	Instruction Sheet



**K71-361-00**

## Brake Spring Kit

**K71-361-00**

For Dexter 7" electric brakes.

DX Part No.	Quantity	Part Description
046-022-00	1	Adjusting Screw Spring
046-023-00	2	Shoe Hold Down Spring
046-024-00	1	Retractor Spring
046-086-00	1	Magnet Spring
046-114-00	2	Shoe Centering Spring



**K71-362-00**

## Brake Spring Kit

**K71-362-00**

For one Dexter 10" x 1½" brake.

DX Part No.	Quantity	Part Description
046-018-00	1	Adjusting Screw Spring
046-077-00	2	Shoe Hold Down Spring
046-080-00	1	Magnet Spring
046-084-00	1	Retractor Spring



**K71-363-00**

## Brake Spring Kit **K71-363-00**

For Dexter 10" x 2¼" and 12" x 2" electric brakes without parking feature.

DX Part No.	Quantity	Part Description
046-009-00	2	Retractor Spring
046-018-00	1	Adjusting Screw Spring
046-077-00	2	Shoe Hold Down Spring
046-080-00	1	Magnet Spring



**K71-434-00**

## Brake Spring Kit **K71-434-00**

For one Dexter 12" x 2" free backing, corrosion resistant, hydraulic brake.

DX Part No.	Quantity	Part Description
035-001-00	2	Cup
046-006-01	1	Shoe Hold Down
046-077-01	1	Hold Down Spring & Cup
046-101-01	1	Retractor Spring
046-107-03	1	Shoe Lever Retractor Spring
046-108-03	1	Primary Shoe Return Spring
046-123-01	1	Adjusting Screw Spring



**K71-426-00**

## Brake Spring Kit **K71-426-00**

For one Dexter 10" x 2¼" free backing, corrosion resistant, hydraulic brake.

DX Part No.	Quantity	Part Description
046-009-01	1	Retractor Spring
046-077-01	2	Hold Down Spring & Cup
046-083-01	1	Adjusting Screw Spring
046-107-03	1	Shoe Lever Retractor Spring
046-108-03	1	Primary Shoe Return Spring



**K71-412-00**

## Brake Spring Kit **K71-412-00**

For one Dexter 12¼" x 2½" electric brake (7.2K) with stamped backing plate.

DX Part No.	Quantity	Part Description
046-018-00	1	Adjusting Screw Spring
046-117-00	1	Magnet Spring
046-119-00	1	Retractor Spring
046-120-00	2	Shoe Centering Spring



**K71-421-00**

## Brake Spring Kit **K71-421-00**

For one Dexter 12 $\frac{1}{4}$ " x 3 $\frac{3}{8}$ ", 12 $\frac{1}{4}$ " x 4" and 12 $\frac{1}{4}$ " x 5" electric brake with stamped backing plate.

DX Part No.	Quantity	Part Description
046-071-00	1	Rear Retractor Spring
046-072-00	1	Adjusting Screw Spring
046-083-00	1	Front Retractor Spring
046-136-00	2	Centering Spring
059-659-00	1	Instruction Sheet



**K71-422-00**

## Brake Spring Kit **K71-422-00**

For one Dexter 12 $\frac{1}{4}$ " x 3 $\frac{3}{8}$ ", 12 $\frac{1}{4}$ " x 4" and 12 $\frac{1}{4}$ " x 5" hydraulic brake.

DX Part No.	Quantity	Part Description
046-072-00	1	Adjusting Screw Spring
046-087-00	1	Retractor Spring

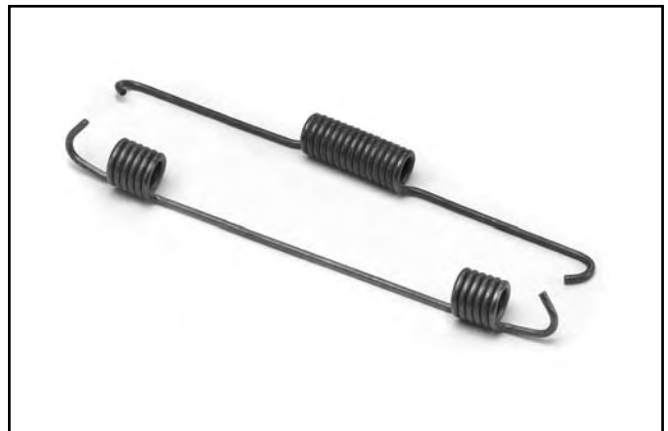


**K71-506-00**

## Brake Spring Kit **K71-506-00**

For one Dexter 12 $\frac{1}{4}$ " x 3 $\frac{3}{8}$ ", 12 $\frac{1}{4}$ " x 4" and 12 $\frac{1}{4}$ " x 5" electric brake with cast backing plate.

DX Part No.	Quantity	Part Description
046-119-00	1	Retractor Spring
046-136-00	2	Centering Springs
046-137-00	1	Adjustor Spring



**K71-440-00**

## Brake Spring Kit **K71-440-00**

For one Dexter 12 $\frac{1}{4}$ " x 3 $\frac{3}{8}$ ", 12 $\frac{1}{4}$ " x 4" and 12 $\frac{1}{4}$ " x 5" corrosion resistant, hydraulic brake.

DX Part No.	Quantity	Part Description
046-072-01	1	Adjusting Screw Spring
046-087-01	1	Retractor Spring



**K71-323-00**

**Adjusting Screw & Spring K71-323-00**

Fits Dexter 7" electric brakes.

DX Part No.	Quantity	Part Description
043-021-00	1	Adjusting Screw
046-022-00	1	Adjusting Screw Spring



**K71-397-00**

**Adjusting Screw & Spring K71-397-00**

Fits Dexter 10" x 2¼" free backing hydraulic brakes.

DX Part No.	Quantity	Part Description
043-004-02	1	Adjusting Screw
046-083-01	1	Adjusting Screw Spring



**K71-324-00**

**Adjusting Screw & Spring K71-324-00**

Fits Dexter 10" x 1½" & 10" x 2¼" hydraulic and electric, and 12" x 2" electric brakes.

DX Part No.	Quantity	Part Description
043-004-02	1	Adjusting Screw
046-018-00	1	Adjusting Screw Spring



**K71-396-00**

**Adjusting Screw & Spring K71-396-00**

Fits Dexter 12" x 2" hydraulic brakes.

DX Part No.	Quantity	Part Description
043-029-01	1	Adjusting Screw
046-102-00	1	Adjusting Screw Spring



**K71-398-00**

## Adjusting Screw & Spring **K71-398-00**

Fits Dexter 12" x 2" free backing hydraulic brakes.

DX Part No.	Quantity	Part Description
043-028-00	1	Adjusting Screw
046-123-01	1	Adjusting Screw Spring



**K71-418-00**

## Brake Adjuster Kit **K71-418-00**

For one Dexter 12 $\frac{1}{4}$ " x 3 $\frac{3}{8}$ ", 12 $\frac{1}{4}$ " x 4" and 12 $\frac{1}{4}$ " x 5" electric brake with stamped backing plate.

DX Part No.	Quantity	Part Description
046-073-00	1	Lever Spring, LH
046-074-00	1	Lever Spring, RH
048-009-00	1	Adjusting Screw Assembly, LH
048-010-00	1	Adjusting Screw Assembly, RH
071-019-01	1	Adjusting Lever, LH
071-019-02	1	Adjusting Lever, RH
071-020-00	2	Adjusting Cable



**K71-411-00**

## Adjusting Screw & Spring **K71-411-00**

Fits Dexter 12 $\frac{1}{4}$ " x 2 $\frac{1}{2}$ " electric brakes (7.2K) and all 12 $\frac{1}{4}$ " manual adjust brakes.

DX Part No.	Quantity	Part Description
046-018-00	1	Adjusting Screw Spring
048-017-00	1	Adjusting Screw

## Brake Adjuster Kit - LH **K71-504-00**

For one Dexter 12 $\frac{1}{4}$ " x 3 $\frac{3}{8}$ ", 12 $\frac{1}{4}$ " x 4" and 12 $\frac{1}{4}$ " x 5" electric brake with cast backing plate.

DX Part No.	Quantity	Part Description
048-019-00	1	Adjusting Screw Assembly, LH
071-462-00	1	Adjuster Cable
071-464-00	1	Adjusting Lever, LH

## Brake Adjuster Kit - RH **K71-505-00**

For one Dexter 12 $\frac{1}{4}$ " x 3 $\frac{3}{8}$ ", 12 $\frac{1}{4}$ " x 4" and 12 $\frac{1}{4}$ " x 5" electric brake with cast backing plate.

DX Part No.	Quantity	Part Description
048-020-00	1	Adjusting Screw Assembly, RH
071-462-00	1	Adjuster Cable
071-463-00	1	Adjusting Lever, RH



**K71-417-00**

## Brake Adjuster Kit

**K71-417-00**

For one Dexter 12¼" x 3⅜", 12¼" x 4" and 12¼" x 5" hydraulic brake (prior to 2/97).

DX Part No.	Quantity	Part Description
046-073-00	1	Lever Spring, LH
046-074-00	1	Lever Spring, RH
048-009-00	1	Adjusting Screw Assembly, LH
048-010-00	1	Adjusting Screw Assembly, RH
071-019-01	1	Adjusting Lever, LH
071-019-02	1	Adjusting Lever, RH
071-443-00	2	Adjusting Cable

## Brake Adjuster Kit

**K71-439-00**

For Dexter 12¼" corrosion resistant self adjusting hydraulic brakes, 8K only (prior to 2/97).

DX Part No.	Quantity	Part Description
046-073-01	1	Adjuster Lever Spring, LH
046-074-01	1	Adjuster Lever Spring, RH
048-009-00	1	Adjusting Screw Assembly, LH
048-010-00	1	Adjusting Screw Assembly, RH
071-019-03	1	Adjusting Lever, LH
071-019-04	1	Adjusting Lever, RH
071-443-00	2	Adjuster Cable



**K71-472-00**

## Brake Adjuster Kit

**K71-472-00**

For Dexter 12¼" forward self adjusting hydraulic brakes (after 2/97).

DX Part No.	Quantity	Part Description
046-132-00	2	Adjuster Clip, Thread End
046-133-00	2	Adjuster Clip, Barrel End
046-134-00	1	Adjuster Lever Spring, RH
046-135-00	1	Adjuster Lever Spring, LH
048-019-00	1	Adjusting Screw Assembly, LH
048-020-00	1	Adjusting Screw Assembly, RH
071-462-00	2	Adjuster Cable
071-463-00	1	Adjusting Lever, RH
071-464-00	1	Adjusting Lever, LH



**K71-458-00**

## Brake Retrofit Kit

**K71-458-00**

For Dexter 12¼" x 3⅜" and 12¼" x 4" forward self adjusting electric brakes. For one axle, services two brakes.

DX Part No.	Quantity	Part Description
006-062-00	2	Flange Lock Nut
006-092-01	2	Flange Lock Nut
027-039-00	6	Wire Clip
027-050-00	2	Magnet Retainer
033-084-00	2	Tubular Spacer
047-123-37	1	Actuator Arm Assembly, RH
047-123-38	1	Actuator Arm Assembly, LH
059-572-00	1	Instruction Sheet
071-455-01	1	Shoe Hold Down Bracket, LH
071-455-02	1	Shoe Hold Down Bracket, RH



**K71-459-00**

## Brake Retrofit Kit

**K71-459-00**

For Dexter 12¼" x 5" forward self adjusting electric brakes. For one axle, services two brakes (12K-15K).

DX Part No.	Quantity	Part Description
006-062-00	2	Flange Lock Nut
006-092-01	2	Flange Lock Nut
027-039-00	6	Wire Clip
027-050-00	2	Magnet Retainer
033-084-00	2	Tubular Spacer
047-123-35	1	Actuator Arm Assembly, RH
047-123-36	1	Actuator Arm Assembly, LH
059-572-00	1	Instruction Sheet
071-455-01	1	Shoe Hold Down Bracket, LH
071-455-02	1	Shoe Hold Down Bracket, RH





**K71-465-00**

## Brake Retrofit Kit

**K71-465-00**

For Dexter 12¼" forward self adjusting hydraulic brakes.  
For one axle, services two brakes (8K-15K).

DX Part No.	Quantity	Part Description
046-131-01	2	Extension Spring
046-134-00	1	Adjuster Lever Spring, RH
046-135-00	1	Adjuster Lever Spring, LH
048-019-00	1	Adjusting Screw Assembly, LH
048-020-00	1	Adjusting Screw Assembly, RH
059-578-00	1	Instruction Sheet
071-456-00	2	Bracket
071-462-00	2	Adjuster Cable
071-463-00	1	Adjusting Lever, RH
071-464-00	1	Adjusting Lever, LH



**K71-633-00**

## Disc Brake Retrofit Kit - LH

**K71-633-00**

For Dexter 3.5K axles. For one brake.

DX Part No.	Quantity	Part Description
006-017-00	4	Hex Nut
008-248-22	1	5-4.50 Hub
010-019-00	1	Seal
021-041-02	1	Grease Cap
031-031-02	1	Bearing Cone
031-033-02	1	Bearing Cone
059-806-00	1	Instruction Sheet
085-001-00	1	Rubber Plug
090-004-01	1	Yoke Assembly
K71-624-00	1	Caliper Kit - LH
K71-626-00	1	Rotor Kit

## Disc Brake Retrofit Kit - RH

**K71-634-00**

For Dexter 3.5K axles. For one brake.

DX Part No.	Quantity	Part Description
006-017-00	4	Hex Nut
008-248-22	1	5-4.50 Hub
010-019-00	1	Seal
021-041-02	1	Grease Cap
031-031-02	1	Bearing Cone
031-033-02	1	Bearing Cone
059-806-00	1	Instruction Sheet
085-001-00	1	Rubber Plug
090-004-01	1	Yoke Assembly
K71-625-00	1	Caliper Kit - RH
K71-626-00	1	Rotor Kit



**K71-638-00**

## Disc Brake Retrofit Kit - LH **K71-638-00**

For Dexter 6K axles. For one brake.

DX Part No.	Quantity	Part Description
006-193-00	5	Hex Nut
008-403-05	1	6-5.50 Hub
010-036-00	1	Seal
021-042-01	1	Grease Cap
031-029-02	1	Bearing Cone
031-030-02	1	Bearing Cone
059-815-00	1	Instruction Sheet
070-009-02	1	Rotor
085-001-00	1	Rubber Plug
090-005-01	1	Yoke Assembly - LH
091-004-00	2	Brake Pad
K71-636-00	1	Caliper Kit

## Disc Brake Retrofit Kit - RH **K71-639-00**

For Dexter 6K axles. For one brake.

DX Part No.	Quantity	Part Description
006-193-00	5	Hex Nut
008-403-05	1	6-5.50 Hub
010-036-00	1	Seal
021-042-01	1	Grease Cap
031-029-02	1	Bearing Cone
031-030-02	1	Bearing Cone
059-815-00	1	Instruction Sheet
070-009-02	1	Rotor
085-001-00	1	Rubber Plug
090-005-02	1	Yoke Assembly - RH
091-004-00	2	Brake Pad
K71-636-00	1	Caliper Kit



**K71-647-00**

## Disc Brake Retrofit Kit - LH **K71-647-00**

For Dexter 6K, 6 bolt axles equipped with Nev-R-Lube® (42mm bearing).

DX Part No.	Quantity	Part Description
006-193-00	5	Hex Nut
008-404-80	1	6K Hub
021-085-00	1	Grease Cap
059-824-00	1	Instruction Sheet
070-009-02	1	Rotor
090-006-01	1	Yoke Assembly
091-004-00	2	Brake Pad
K71-636-00	1	Caliper Kit

## Disc Brake Retrofit Kit - RH **K71-648-00**

For Dexter 6K, 6 bolt axles equipped with Nev-R-Lube® (42mm bearing).

DX Part No.	Quantity	Part Description
006-193-00	5	Hex Nut
008-404-80	1	6K Hub
021-085-00	1	Grease Cap
059-824-00	1	Instruction Sheet
070-009-02	1	Rotor
090-006-02	1	Yoke Assembly
091-004-00	2	Brake Pad
K71-636-00	1	Caliper Kit



**K71-635-00**

## Disc Brake Retrofit Kit **K71-635-00**

For Dexter 8K axles. For one brake.

DX Part No.	Quantity	Part Description
005-058-00	4	Lock Washer
006-129-01	4	Hex Nut
007-097-00	4	Hex Bolt
059-808-00	1	Instruction Sheet
070-007-02	1	Rotor
090-003-01	1	Yoke Assembly
091-004-00	2	Brake Pad
K71-630-00	1	Caliper Kit

Note: Use K71-635-00 with one of the following hub assemblies (separate kit):

008-399-90	Hub Assembly with $\frac{9}{16}$ " Studs, Grease, 8-6.50
008-399-91	Hub Assembly with $\frac{9}{16}$ " Studs, Oil, 8-6.50
008-399-92	Hub Assembly with $\frac{5}{8}$ " Studs, Grease, 8-6.50
008-399-93	Hub Assembly with $\frac{5}{8}$ " Studs, Oil, 8-6.50

## Disc Brake Retrofit Kit **K71-646-00**

For Dexter 8K, axles equipped with Nev-R-Lube® (50mm bearing). LH or RH.

DX Part No.	Quantity	Part Description
005-058-00	4	Lock Washer
006-129-01	4	Hex Nut
007-097-00	4	Hex Bolt
059-824-00	1	Instruction Sheet
070-007-02	1	Rotor
090-007-01	1	Anchor Yoke
091-004-00	2	Brake Pad
K71-630-00	1	Caliper Kit

Note: Use K71-646-00 with one of the following hub assemblies (separate kit):

008-402-90	Hub Assembly with $\frac{9}{16}$ " Studs, 8 Bolt
008-402-91	Hub Assembly with $\frac{5}{8}$ " Studs, 8 Bolt